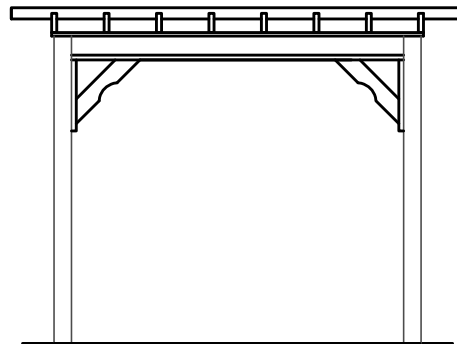


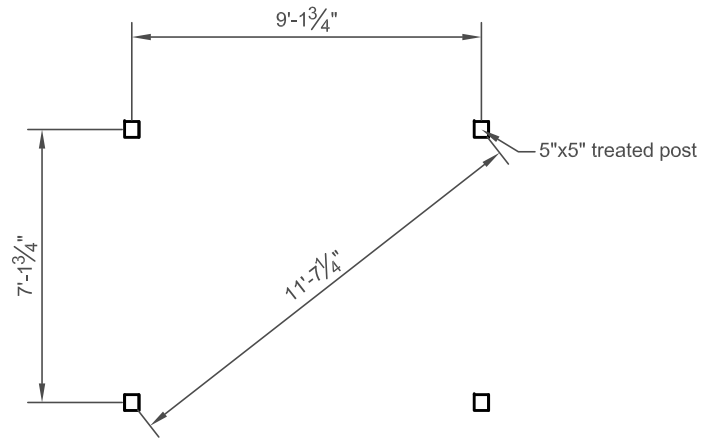
End Elevation

NTS



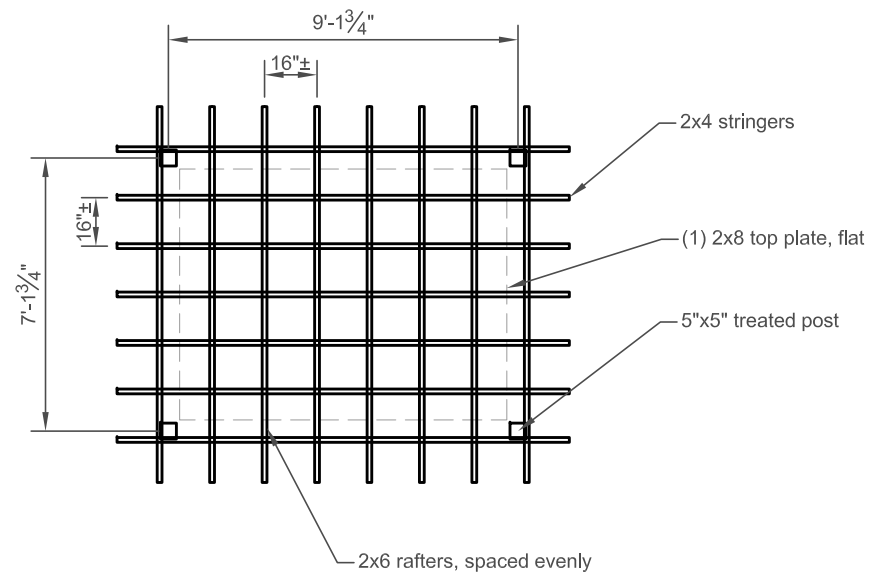
Side Elevation

NTS



Post Layout Plan

NTS



Roof Framing Plan

NTS